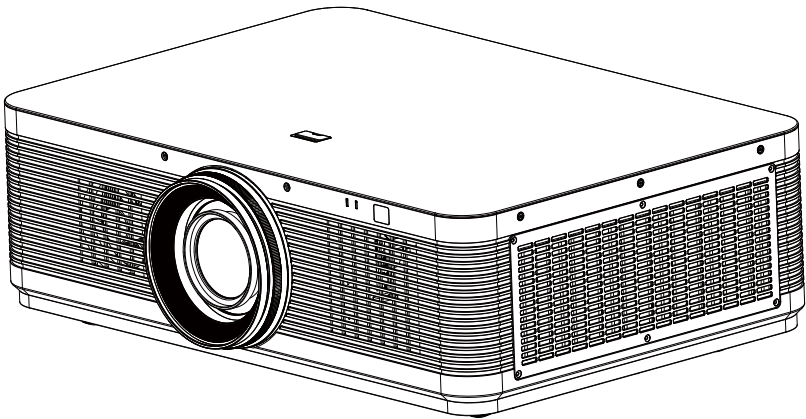


User's Manual

Laser Projector

Model: CM8000
CM8100
CM8200
CM8300
CM8400
CM8500
CM8600



Thank you for purchasing this product.
Before operating this product, please read this manual carefully and keep it properly for future reference.

Important safety Tips	1
Precautions for use	8
Part names and functions	12
Terminal panel	13
control panel	14
Indicators	15
Remote control Operation	16
Placing the projector	17
Adjustable feet	17
Input/output connection relationship	18
USB VIEWER function	20
Connecting the AC power cord	21
Turning On the Projector	22
Lens shift adjustment range	24
Dimensions	25
Appendix	26

Important Safety Tips !

WARNING : This device must be grounded.

WARNING : To prevent damages that may cause fire or electric shock, do not expose this appliance to rain or moisture.
This device cannot be used in the direct vision area of visual display workplace. To avoid interfering reflection in visual display workplaces, it is strictly forbidden to place this device in direct vision area. According to ISO7779, the sound pressure intensity at the operators position is equal to or less than 70dB(A).

WARNING :

1. Be sure to unplug the power cord from the power outlet if the device is not to be used for a long time.
2. To avoid electric shock, do not open the cover. Please refer to qualified personnel for service.
3. Do not remove the ground terminal of the power plug. This device is equipped with a two-pole grounding type power plug. The plug can only be used with a grounding type power outlet. This is a security feature. If you are unable to insert the plug into the outlet, please contact the electrician. Do not damage the function of the grounding plug.

WARNING : This device complies with the Class A standard of CISPR 32.
This is a Class A information technology device, which may cause radio frequency disturbance when used in residential environment. In this case, the user will be required to take some appropriate countermeasures.

Precautions : To ensure that the product continues to comply with the regulations, please follow the supplied installation instructions. Including: When connecting a computer or peripheral device, the supplied power cord and shielded interface cable are necessary. In addition, any unauthorized changes and modifications to the device may void the user's authority to operate.

WARNING : To avoid fire or electric shock, do not expose this product to rain or moisture.

WARNING : Risk of electric shock, do not open.



Marks on the projector



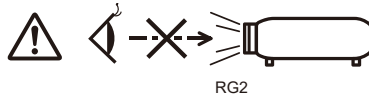
The lightning mark with an arrow in the equilateral triangle is intended to warn the user of the presence of a non-insulated "dangerous voltage" inside the product, which poses a risk of electric shock to personnel.



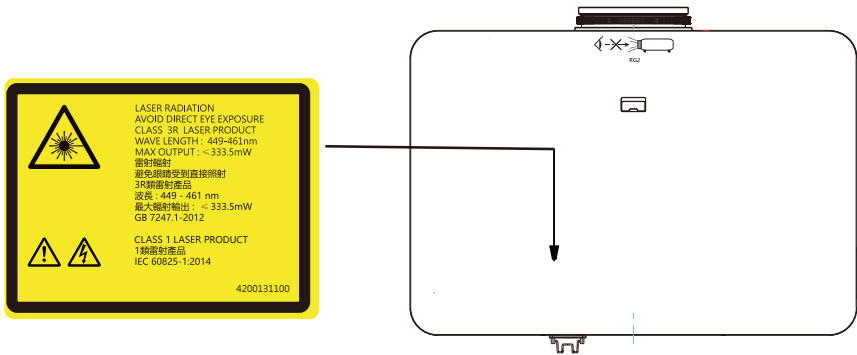
The exclamation mark in the equilateral triangle is a textual description to remind the user of the important operation and maintenance (service) attached to the product.

WARNING :

As with any bright light source, do not stare into the beam, RG2 IEC 62471-5:2015



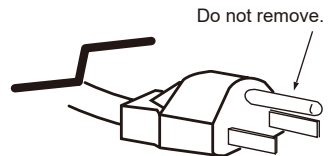
Laser Declaration : This projector complies with the first class of laser products of IEC/EN 60825-1:2014.



Precaution : Use of control, adjustment or execution procedures other than those specified here may result in the leakage of harmful radiation.

Precaution :

This device is equipped with a secondary grounding type power plug. Do not remove the grounding terminal of the power plug. This plug can only be used with grounding type power outlet. This is a security feature. If you are unable to insert the plug into the outlet, please contact the electrician. Do not damage the function of the grounding plug.



Emergency treatment method :

To prevent damage to users and others and loss of life and property, if there is any abnormality occurs, unplug the power cord immediately and stop using it.



WARNING :

POWER

The wall outlet or circuit breakers shall be installed near the device to ensure easy insertion and removal when problems occur. If the following problems occur, cut off the power supply immediately. In these conditions, continued use of the projector will result in fire or electric shock, or will cause visual impairment.

If foreign objects or water get inside the projector, cut off the power supply.

If the projector is dropped or the cabinet is broken, cut off the power supply.

If you notice smoke, strange smells or noise coming from the projector, cut off the power supply.

Please contact an Authorized Service Center for repairs, and do not attempt to repair the projector yourself.

In case of thunderstorms, do not touch the projector and cables, otherwise, it may cause electric shock.

Do not damage the power or the power plug.

Using a damaged power cord may result in electric shock, short circuit or fire.

Do not damage, modify, excessively bend, twist, pull, wind the power cord, or place it close to a hot object or place heavy objects on it.

Do not use the power cord other than the attached power cord, otherwise it will easily cause electric shock or fire.

Note: If the device on the side of the power outlet is grounded without using the supplied power cord, electric shock may occur.

Insert the power plug firmly into the wall outlet and ensure that the power connector is firmly inserted into the projector power supply.

If the plug is not inserted correctly, it may result in electric shock or overheating.

Do not use a damaged power plug or a loose wall outlet.

When the hand is wet, do not touch the power plug or the power connector. Otherwise, it will easily cause electric shock.

Do not overload the wall outlet.

If the power supply is overloaded (ex: excessive power strips inserted), it may cause excessive temperatures or even a fire.

Clean the power plug regularly to prevent being covered by dust, otherwise it may cause a fire. If dust builds up on the power plug, moisture in the dust may affect the insulation effect.

Use/Installation

Do not place the projector on soft materials such as carpets or sponge mats.

Otherwise, it will cause the projector body to overheat, which can cause burns, fire or damage the projector.

Do not install the projector in a place that is damp or dusty, or where the projector may be exposed to oil-smoke or steam.

Using the projector under this condition will result in fire, electric shock or component deterioration. Oil may also distort the plastic and the projector may fall, such as when mounted on a ceiling.

Do not install the projector in a place that is not strong enough to withstand the full weight of the projector or on a sloping, unstable surface. Otherwise, the projector may drop or dump, resulting in personal injury or equipment damage.

Do not install the projector in a place where people pass through.

People may bump into the projector or trip over the power cord, which could result in fire, electric shock, or injury.

WARNING:

Do not cover the intake/exhaust vent. Otherwise, it may cause the projector body to overheat, and cause fire or damage the projector.

- Do not place the projector in narrow, poorly ventilated places.
- Do not place the projector on rag or papers, as these materials could be easily drawn into the intake vent.
- Keep at least 1m (39-3/8") between the exhaust vent and any wall or object, and keep at least 50cm (19-11/16") between the intake vent and any wall or object.

While using the projector, never look directly at the light from the lens or expose the skin to such light.

Do not use optical devices (such as magnifiers or mirrors) to enter the projection beam. Doing so may result in burns or impaired vision.

- The projector lens emits strong light. Do not look directly at this light or expose your hands directly to this light.
- Please take special care not to allow children to look directly into the lens. In addition, when you leave the projector, turn off the power and mains.

Do not attempt to refit or disassemble the projector.

High voltage may cause accidents such as fire or electric shock.

● For any check, adjustment and repair work, please contact the designated service center.

Please avoid metal objects, combustibles or liquids from entering the projector. Do not wet the projector. Failure to do so may result in a short circuit or excessive temperature, which may result in fire, electric shock, or projector malfunction.

- Do not place containers of liquid or metal objects near the projector.
- If liquid enters the projector, consult your dealer.
- Please pay special attention to children.

Please use the specified ceiling mount bracket.

Using a non-designated ceiling mount bracket may cause the machine to fall.

- Install the attached safety cable on the ceiling mount bracket to prevent the projector from falling down.

Installation work should only be carried out by qualified technicians, such as mounting the projector on the ceiling.

If the installation is not properly fixed, it may cause personal injury or electric shock.

● ACCESSORIES

Please use or discard the battery properly and refer to the following instructions.

Otherwise, it may cause burns, battery leakage, overheating, explosion or fire.

- Use specified batteries.
- Do not charge dry batteries.
- Do not disassemble dry batteries.
- Do not heat the battery or immerse the battery in water or throw it into the fire.
- Do not touch the + and - terminals of the battery with metal objects such as necklaces or hairpins.
- Do not store or carry the battery together with metal objects.
- Please store the batteries in plastic bags and keep them away from metal objects.
- When loading the battery, make sure that the polarity (+ and -) is connected correctly.
- Do not mix old and new batteries or different types of batteries.
- Do not use batteries that have been peeled off.

If the battery leaks, do not touch the leakage directly with your hand and take the following measures if necessary.

- If the skin or clothing comes into contact with the liquid of the battery, it may cause redness or damage to the skin. Rinse immediately with clean water and seek medical advice.
- If the battery leaks into the eye, it may lead to blindness. In this case, please do not rub your eyes. Please rinse immediately with water and seek medical advice.

Do not let the children reach the batteries.

Accidental swallowing of accessories can cause physical harm.

- If swallowed by mistake, seek medical advice immediately.

Remove the depleted batteries from the remote control promptly.

- Leaving depleted batteries in remote controller may lead to leakage, abnormal rise of internal temperature and even explosion of the batteries.

PRECAUTION

● POWER

When unplugging the power cord, be sure to hold the power plug and power connector. If the power cord is pulled, it may damage the wire and cause fire, short circuit or serious electric shock.

When not using the projector for a long time, pull the power plug from the wall outlet. otherwise, it may result in fire or electric shock.

Installation work should only be carried out by qualified technicians, such as mounting the projector on the ceiling.

If the installation is not properly fixed, it may cause personal injury or electric shock.

● ACCESSORIES

Please use or discard the battery properly and refer to the following instructions.

Otherwise, it may cause burns, battery leakage, overheating, explosion or fire.

- Use specified batteries.
- Do not charge dry batteries.
- Do not disassemble dry batteries.
- Do not heat the battery or immerse the battery in water or throw it into the fire.
- Do not touch the + and - terminals of the battery with metal objects such as necklaces or hairpins.
- Do not store or carry the battery together with metal objects.
- Please store the batteries in plastic bags and keep them away from metal objects.
- When loading the battery, make sure that the polarity (+ and -) is connected correctly.
- Do not mix old and new batteries or different types of batteries.
- Do not use batteries that have been peeled off.

If the battery leaks, do not touch the leakage directly with your hand and take the following measures if necessary.

- If the skin or clothing comes into contact with the liquid of the battery, it may cause redness or damage to the skin. Rinse immediately with clean water and seek medical advice.
- If the battery leaks into the eye, it may lead to blindness. In this case, please do not rub your eyes. Please rinse immediately with water and seek medical advice.

Do not let the children reach the batteries.

Accidental swallowing of accessories can cause physical harm.

- If swallowed by mistake, seek medical advice immediately.

Remove the depleted batteries from the remote control promptly.

- Leaving depleted batteries in remote controller may lead to leakage, abnormal rise of internal temperature and even explosion of the batteries.

PRECAUTION

● POWER

When unplugging the power cord, be sure to hold the power plug and power connector. If the power cord is pulled, it may damage the wire and cause fire, short circuit or serious electric shock.

When not using the projector for a long time, pull the power plug from the wall outlet. otherwise, it may result in fire or electric shock.

Before replacing the projection lens, be sure to turn off the power and pull the power plug from the wall socket.

- Unexpected projection may cause injury to eyes.
- Replacing the projection lens without pulling the power cord may cause electric shock.

Pull the power plug from the wall outlet before cleaning or replacing any components, otherwise it may lead to electric shock.

- Use/Installation

Do not place any heavy object on the top of the projector. Doing so may cause the projector to be unstable or fall, resulting in personal injury or equipment damage, and the projector may be damaged or deformed.

Do not sit on the projector. Doing so may break or damage the projector and cause injuries.

- Do not let children stand or sit on the projector.

Do not place the projector in extremely hot places. Doing so may cause the cabinet or internal components to deteriorate, or result in fire.

- Take extra care when exposed to direct sunlight or near an electric heater.

While shifting the lens, do not put your hand into the opening beside the optical lens, as this may result in injury.

Do not place the projector in a location that may be affected by salt or corrosive gases, as it may fall due to corrosion. In addition, corrosion may also cause malfunctions.

When using the projector, do not stand in front of the lens, as it may cause damage and burn clothes.

- Strong light is emitted from the projector lens.

Do not place objects in front of the lens when using the projector. Do not block the projection by placing objects in front of the projection lens. Doing so may cause fire or damage the objects and may cause malfunction of the projector.

- Strong light is emitted from the projector lens.

Remove all cables from the projector before moving the projector. Moving the projector without removing the cables may damage the cables, leading to fire or electric shock.

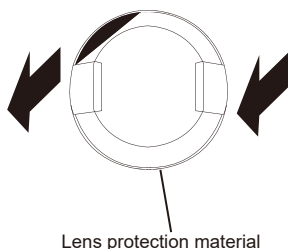
When mounting the projector to the ceiling, keep mounting screws and power cord from contact with the metal components inside the ceiling. Contact with metal elements inside the ceiling can cause electric shock.

- Accessories

When not using the projector for a long time, remove the batteries from the remote control. Failure to do so may cause the batteries to leak, overheat, catch fire or explode, which may lead to fire or contamination of the surrounding area.

Lens Protection Material

To protect the projection lens from vibration during transportation, the lens protection material has been attached to the product at the time of purchase. Remove the lens protection material before use and store it for future use. Move the lens to its original position and the attach lens protection material when transporting.



Transporting Precautions

- When transporting the projector, firmly hold the bottom of the projector to avoid excessive vibration and impact. This can damage internal components and cause malfunctions.
- When transporting the projector, the adjustable feet should be retracted, otherwise the adjustable feet may be damaged.

Safety Precautions

- Do not install the projector outdoors.
The projector is designed for indoor use only.
Do not install the projector in the following locations.
- Places subject to vibration and impacts : For example, in a vehicle such as a car, it may damage internal components or cause equipment failure.
- Near the sea or where there may be corrosive gases. The projector may fail due to corrosion and it may also shorten component life and cause malfunction.
- Near the exhaust of air conditioning : Depending on the use conditions, the screen may jitter rarely due to the heated air from the exhaust vent or the cool and hot air from the air conditioner. Make sure that the exhaust gas from projector or other equipment or the air from air conditioner does not blow directly to the front of the projector.
- Places of severe temperature change : For example, near the light source (projection lamp). It may shorten the light source life, or the projector may be deformed by heat, which may cause malfunction. The projector operating environment temperature should be followed.
- Near high-voltage wire or near the motor : Doing so may interfere with the projector.
- Ask a qualified technician or dealer for installation work such as mounting the projector to the ceiling.
- To ensure the projector performance and safety, ask a qualified technician or dealer when installing to the ceiling or high.
- Have a qualified technician or dealer install the connection cable.
- If the cable transmission characteristics cannot be obtained due to improper installation, image and sound interruption may occur.
- If there are strong radio waves from broadcast stations or radios around, the projector may not work properly.
If there are any facilities or equipment that output strong radio waves near the installation location, install the projector away from such radio sources. In addition, you can wrap the LAN cable connected to the terminal with a piece of metal foil or a metal tube with both ends grounded.

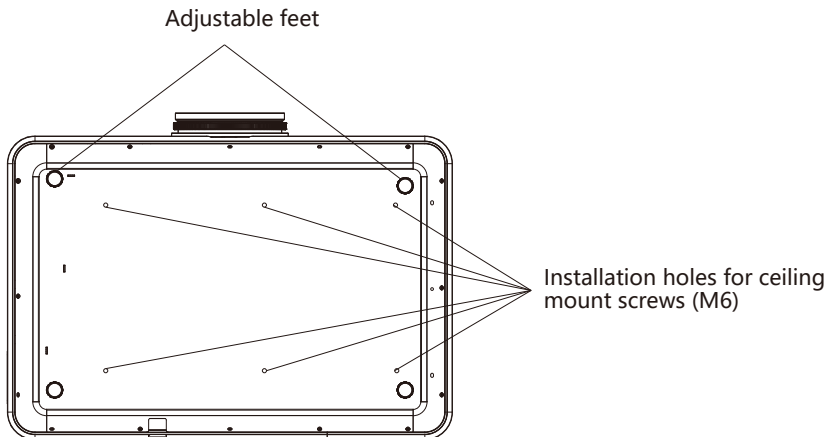
- **Focus Adjustment**

When turning on the projector, the high-transparency projection lens is easily affected by the illumination of the light source, resulting in unstable focus.

It is recommended to adjust the lens focus after continuously projecting the image for at least 30 minutes.

- Do not install the projector at an altitude of 2700M(8858")or higher.
- Do not use the projector where the ambient temperature is above 45°C (113°F). Using projectors in a location where the altitude is too high or the operating environment temperature is too high may shorten the life of components or lead to equipment malfunctions.
- Precautions when installing the projector
- Adjustable feet are only used to mount on the floor and adjust the angle. Using them for other purposes may damage the projector.
- When installing the projector, use the four screw holes for ceiling mount to fix the projector,except for floor installation with adjustable feet or ceiling mount.
- (Screw diameter: M6, Screw hole depth inside the projector: 12mm(15/32"), Screw locking torque $4\pm 0.5N.m$.

Positions of screw holes for ceiling mount and adjustable feet



Do not stack multiple projectors up and down.

- Do not use the projector supporting it by the top.
- Do not block the vents (intake and exhaust) of the projector.
- Avoid cool and hot air from air conditioning system blowing directly to the vents (intake and exhaust) of the projector.
- Do not install the projector in a small space.
If a projector is to be installed in a small space, air conditioning or ventilation devices should be installed separately. In case of poor ventilation, accumulated waste heat may trigger the protection circuit of the projector.
- The company takes no responsibility for any damage to the projector due to improper selection of the installation site, even within the effective warranty period.

Security

When using this product, take safety measures for the following events.

- Personal information leakage caused by this product.
- Unauthorized operation of this product by a malicious third party. Interfering or stopping of this product by a malicious third party.
- Take adequate security measures.
- Set your password difficult to guess as much as possible.
- Change your password regularly.
- The company and its affiliates do not ask the customer directly for the password.
- Do not give your password when received such inquiries.
- The connection network must be protected by a firewall or other software. Set a password for network control and limit the users who can log in.

Disposal

To dispose of the product, ask your local authorities or dealer for correct product disposal methods. Also, do not disassemble this product when disposing of it.

Storing

Store the projector in a dry room.

Precautions for use

- To get a good picture quality
After creating a suitable environment, you can see good images with higher contrast. Pull down the curtains or blinds and close any light bulbs near the screen to avoid direct exposure of outdoor or indoor lights to the screen.
- Do not touch the surface of the projection lens directly with your hands.
If the surface of the projection lens is dirty by fingerprints or other objects, such dirt will be magnified and projected onto the screen.
- LCD panel
LCD panels are manufactured with very high precision technology, but in very few cases, there may be disappearance or constant illumination of pixels.

Please note that these phenomena are not malfunctions.

Also, when a still image is projected for a long time, the residual image may remain on the image of the LCD panel, in which case the whole white image will appear for an hour or more. Note that residual images may not disappear completely.

Optical parts

When used in environments where the ambient temperature is high or with a large amount of dust or cigarette smoke, the replacement cycle of optical parts such as LCD panels or polarizers may be shortened even if it is used for less than one year. For more information, please consult your dealer.

Light source

The light source of the projector is laser.

- **Connections with computers and external devices**

When connecting a computer or an external device, please read the instructions carefully about the use of power cords and shielded cables in this manual.

Disposal information in other countries outside the European Union.



Such symbols are valid only in the European Union.

To discard this product, please contact your local authorities or dealer to get the correct disposal method.



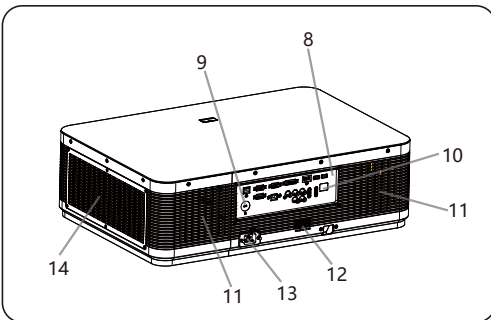
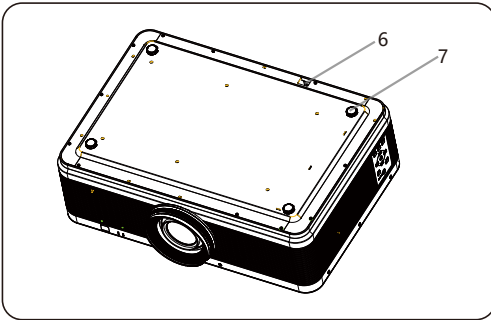
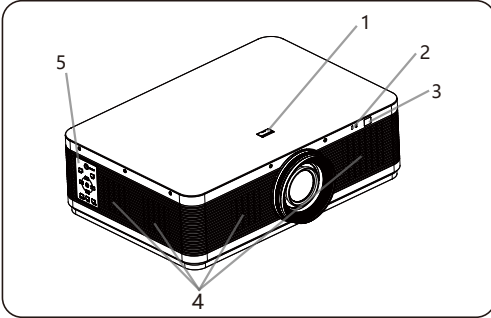
- **Indication of restricted substances containment**

Unit	Restricted substances and their chemical symbols					
	Lead (Pb)	Mercury (Hg)	Cadmium (Cd)	Hexavalent chromium (Cr ⁶⁺)	Polybrominated biphenyl (PBB)	Polybrominated diphenyl ether (PBDE)
Print circuit board	—	○	○	○	○	○
Projection lens	—	○	○	○	○	○
Projection light source	○	○	○	○	○	○
Cabinet	○	○	○	○	○	○
Mechanical parts	—	○	○	○	○	○
Remote control	○	○	○	○	○	○
Other accessories	○	○	○	○	○	○

Remark 1. "○" only means that the percentage content of the restricted substance does not exceed the reference value of the percentage content.

Remark 2. "—" refers only to the restricted substance as an exclusion item.

Part names and functions

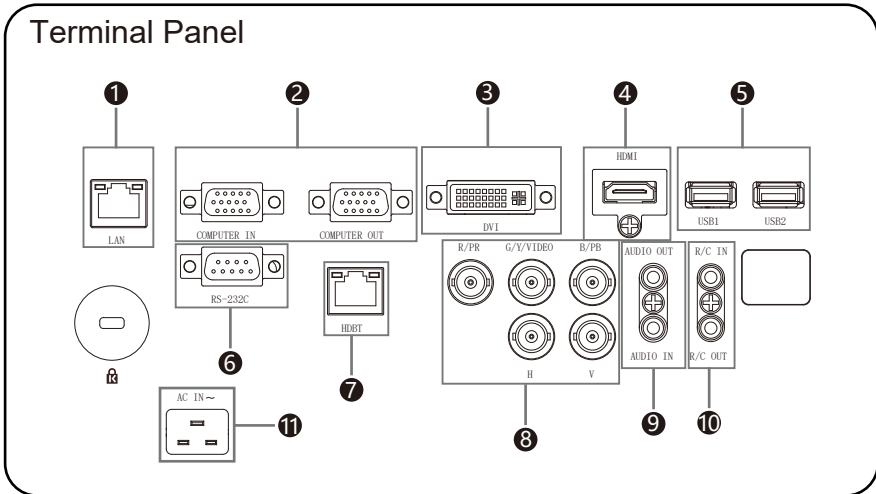


- ① Lens Release Button
- ② Status Indicators
- ③ Front Remote Sensor
- ④ Intake Vent
- ⑤ Control Panel
- ⑥ Security Bar
- ⑦ Adjustable Feet
- ⑧ Terminal Panel
- ⑨ Security Lock
- ⑩ Rear Remote Sensor
- ⑪ Exhaust Vent
- ⑫ Speaker
- ⑬ Power Socket
- ⑭ Filter



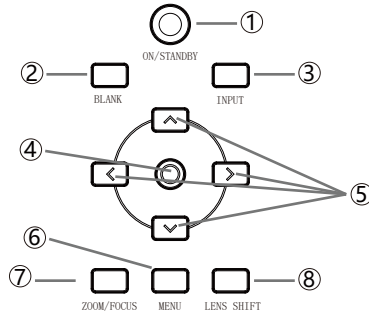
CAUTION

Do not place anything around the vents, as it may cause internal heat build-up. Do not place your hands or deformable objects (plastic, etc.) near the ventilation holes or around the projector as it may result in damage or personal injury.



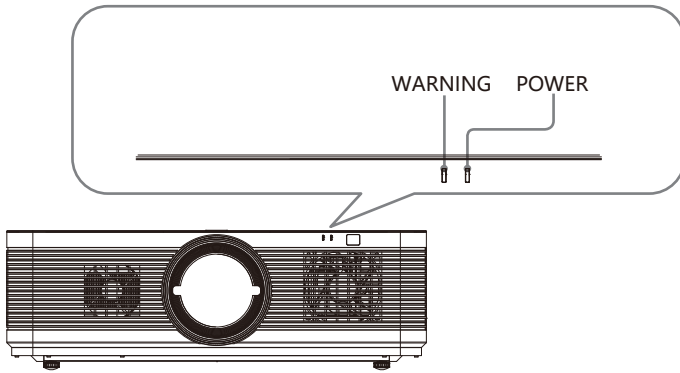
- ① LAN
Connect the network cable.
- ② COMOUTER IN / COMPUTER OUT
Connect the computer output VGA signal to this terminal.
Connect an external display device.
- ③ DVI
Connect the DVI digital output signal to this terminal.
- ④ HDMI
Connect the HDMI output signal to this terminal.
- ⑤ USB Port (Type A)
When using the [USB DIAPLAY] function, connect the USB storage device to this terminal.
- ⑥ RS-232C
RS-232C compatible control interface. Connect the RS-232C interface of the computer to the RS-232C cross cable.
- ⑦ HDBT
Connect the HDBT output signal to this terminal.
- ⑧ BNC INPUT
Connect the component or composite video output signal from video equipment to VIDEO / Y , PB , PR jacks or connect the computer output signal(BNC Type Gernn,Blue,Red,Horiz, Sync,and Vert.Sync.)
- ⑨ AUDIO IN / AUDIO OUT
Connect the computer audio signal to this terminal.
Connect an external audio device to this terminal.
- ⑩ R/C IN R/C OUT
When using the wired remote control, connect the wired remote control to this jack with a remote control cable (not supplied)
- ⑪ AC IN (~) Socket
Connect the supplied power cord.


Control Pane




- ① POWER Button
Turn on or off the projector.
- ② BLANK Button
Temporarily turn off the image on the screen.
- ③ INPUT Button
Select the input source.
- ④ OK Button
 - Enter the menu operation.
 - Perform the selected item.
- ⑤ <> ^ v / VOL- / VOL+ Button
 - Select an item or adjust the data in the on-screen menu.
 - Adjust the Volume
- ⑥ MENU Button
Turn on or off the on-screen menu.
- ⑦ ZOOM / FOCUS Button
Adjusts the focus, zoom
- ⑧ LENS SHIFT Button
Adjusts the lens shift (vertical position and horizontal position of the lens).

Indicators




 Standby The projector is connected to the power supply and in standby mode.

(Off) (Red light on)

 Power on mode The projector is ready for projection.

(Off) (Green light on)

 Sleep mode Get into Sleep mode after no signal input for a period of time.

(Off) (Blink in green)

Remote Control Operation



To ensure safe operation, please observe the following items :



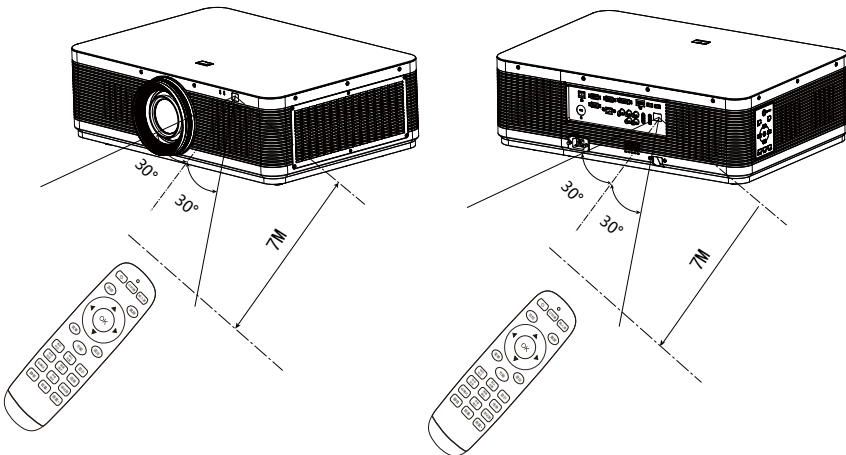
- Use 2 AAA alkaline batteries.
- Replace both batteries at the same time.



- Do not use a new battery and an old battery at the same time.
- Avoid contact with water or other liquids.
- Do not place the remote control in a damp or hot environment.
- Do not drop the remote control.
- If the battery fluid leaks in the remote control, clean the battery case carefully and install new batteries.
- There is a danger of explosion if using batteries of other types than specified in this manual.
- Dispose of used batteries according to the instructions on batteries or local disposal regulations or guidance.

Operating Range of Remote Control

- When operating, point the remote control at the remote sensing window of the projector (front and rear).
- The maximum operating range of the remote control is 7 meters in linear distance and 30 degrees in front of and behind the projector.

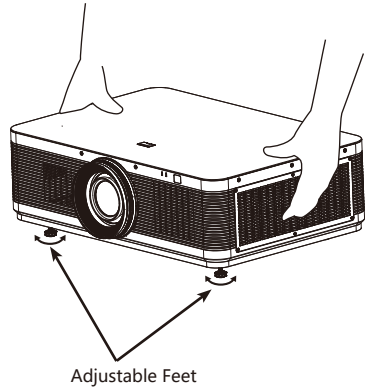


Placing the Projector

- Since the indoor brightness can significantly affect the effect of the projection image, it is recommended to limit the indoor light in order to obtain the best image.

Adjustable Feet

The projector can be raised to 40mm using adjustable feet. Rotate the adjustable feet and tilt the projector to a proper height. To raise the projector, turn the two feet clockwise. To lower the projector or to retract the adjustable feet, turn the two feet counterclockwise.

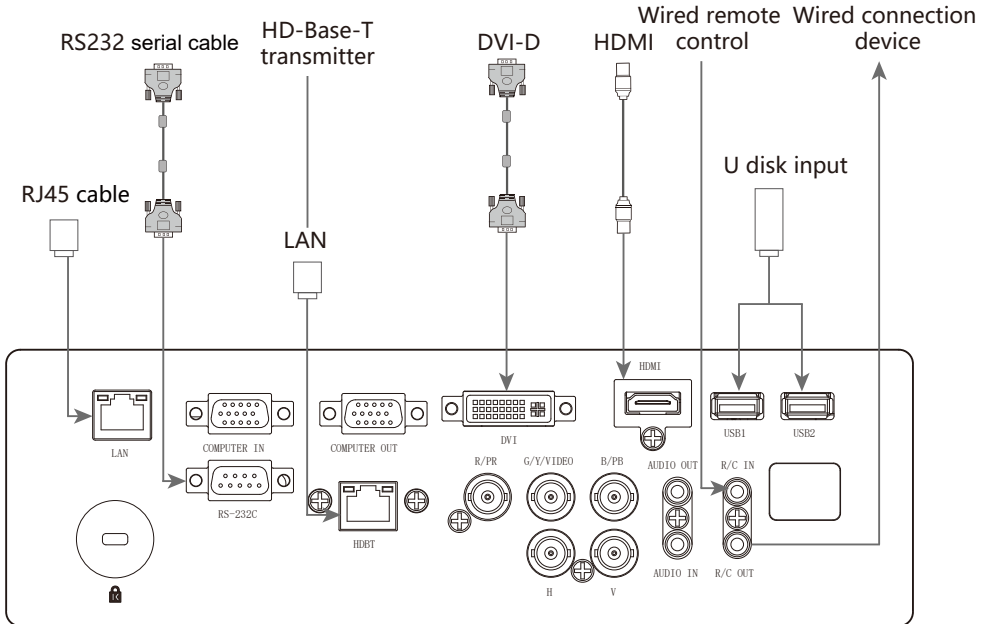


Input/Output Connection Relationship

Cables for connection

- RJ45 cable *
- RS232 serial cable*
- HD-Base-T cable*
- DVI-D cable*
- HDMI cable*
- 35mm audio cable*

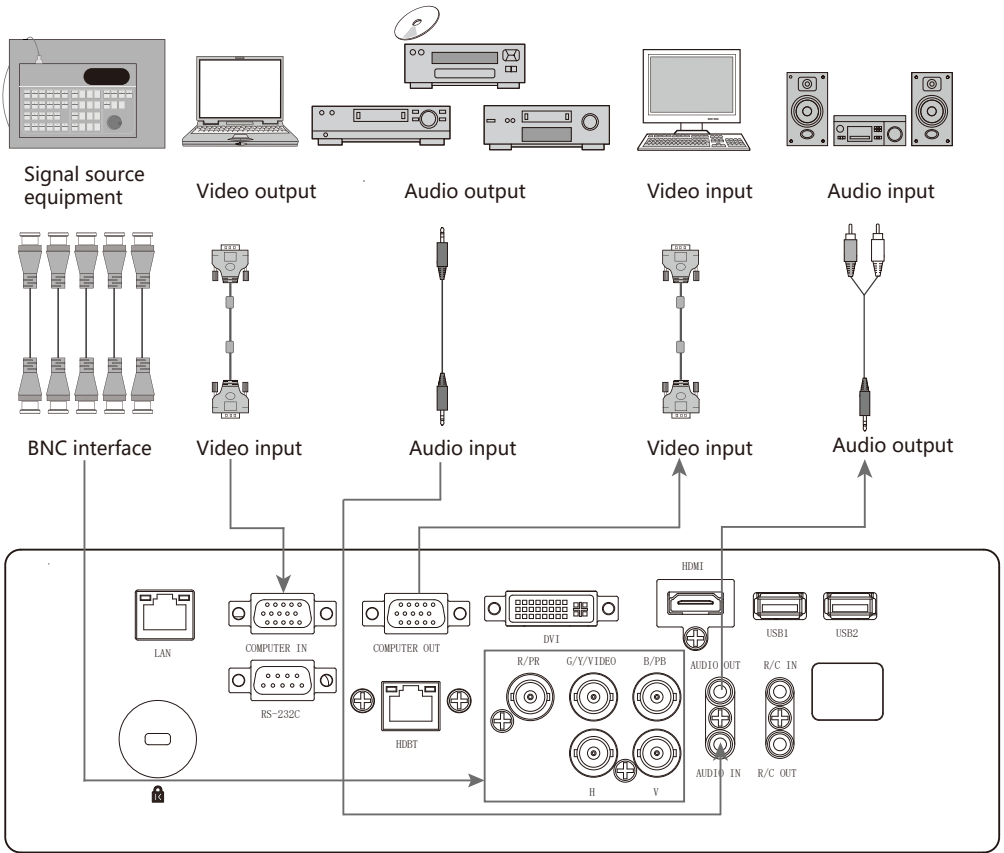
(*: This projector is not equipped with this cable.)



When connecting the cable, unplug the power cord of the projector and external devices from the power outlet.

Cables for connection

- Audio cable*
 - VGA cable*
 - BNC cable*
- (*: This projector is not equipped with this cable.)



⚠ When connecting the cable, unplug the power cord of the projector and external devices from the power outlet.

USB VIEWER Function

When the USB memory is inserted into the projector, the USB viewer function can project the pictures in the memory.

■ USB decoration compatibility

USB decoration	USB memory (FAT32, Up to 32GB)
----------------	--------------------------------

- The USB viewer function does not support displaying Chinese fonts. Folder name and file name only display alphanumeric characters.



- Do not use storage devices other than USB memory as it may cause malfunctions.
- Do not use a USB hub, and the USB memory should be directly connected to the projector.
- The USB memory of USB1.1 specification may not start normally.
- USB storage with security features may not be used normally.
- Do not move the machine with a USB storage device.
- A folder can store up to 500 files or folders.
- The folder name and file name cannot contain the following characters: " * / : < > ? ¥ |
- File names exceeding 20 characters cannot be displayed normally.
- The USB viewer function does not support displaying Chinese fonts.
- Only alphanumeric characters are displayed for folder names and file names.

■ The content that can be projected by the viewer function.

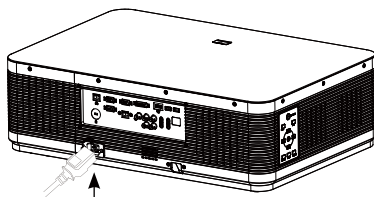
The viewer function supports the following image files.

Image	Extension Name	Description	
	JPG/JPEG	Baseline coding 24 bits Progressive RGB 24 bit	Maximum resolution: 5000x5000 Maximum resolution: 4096x4096
BMP PNG		Maximum resolution: 4096x4096	

Connection the AC Power Cord

The projector uses an AC power supply with standard voltage of 100-240V, which can automatically adapt to different input voltages. This unit uses single-phase power system with neutral grounding conductor.

To avoid the risk of electric shock, do not use any other type of power system. If you are uncertain of the type of power supply you are using, consult an authorized dealer or service station. Connect all the peripherals before turning on the projector.



Connect the AC power cord (supplied) to the projector.

CAUTION:

The AC power outlet should be close to the projector and easy to plug and unplug.

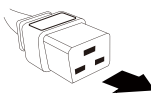

CAUTION:

For your safety, unplug the AC power cord when not using the projector. The projector is in standby mode and consumes a little power when connected to an outlet with an AC power cord.

Precautions for power cord

The AC power cord must meet the requirements of the country or area where the projector is used. Make sure that the type of AC power plug is the same as the figure below, and always use the correct AC power cord.

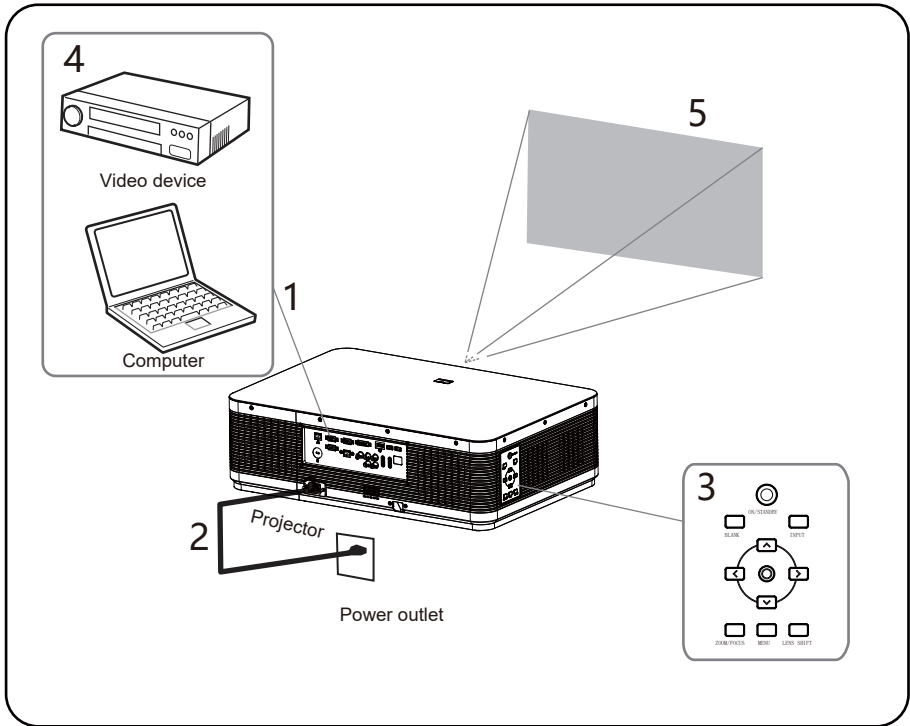
If the supplied AC power cord does not match the AC outlet you use, contact your dealer.


Projector terminal	Terminal which connects to AC power outlet
 <p data-bbox="162 1209 420 1260">Connect to the power cord port of the projector</p>	 <p data-bbox="767 1209 980 1260">Connect to AC power outlet</p>

CAUTION:

- Use of incorrect cables may affect the product performance, and may even lead to accidents such as electric shock or fire. To ensure product performance and safety, use the same type of cable as the original cable.
- Common connection cables include AC power cords, audio cables, video cables, serial control cables, etc.

Turning On the Projector



- 1 Complete the connection of external devices first before turning on the projector.
- 2 Connect the AC power cord to the AC outlet.
The power indicator lights up in red.
- 3 Press  button to turn on the projector.
- 4 Turn on the connected devices.
- 5 Select the input source.
Press the input selection button of INPUT on the projector to display the input source switching menu on the screen. Press OK button repeatedly to select the device channel you want to project.

6 When projecting a computer image, switch the computer output to external display.

Output switching method varies according to computer types.

(example)



7 Adjust the focus, size and position of the projected image.

Adjust the focus, size and position of the projected image.

Focus	Size (Zoom)	Position (Lens shift)
<p>Press the ZOOM/FOCUS key on the remote control or the keypad to enter the interface for adjusting the focus and zoom functions, and press the up and down directions to control FOCUS to adjust the focus.</p>	<p>Press the ZOOM/FOCUS button on the remote control or the keypad to enter the interface for adjusting the focus and zoom functions, and press the left and right buttons to control ZOOM, adjust the size, and zoom the screen.</p>	<p>Press the LENS SHIFT key on the remote control or the keypad to enter the lens shift function interface.</p>

Adjust the tilt of the projector by adjusting the adjustable feet

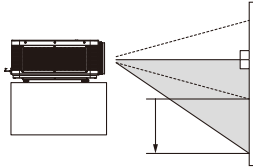
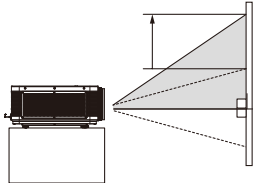
By using the adjustable feet to change the tilt of the projector, you can adjust the position of the projected image and change the angle.

Through the manual lens shift function, the projection lens can be moved up and down, left and right.

This function allows the user to easily adjust the position of the projected image.

The projection position can be moved up at most to a distance equal to 40% of the image range up and down.

Lens moved to the top

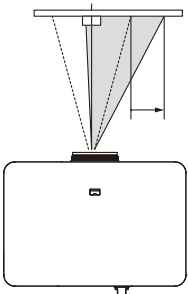
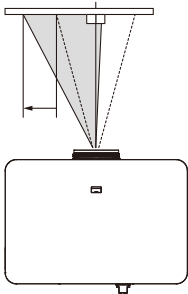


The projection position can be moved down at most to a distance equal to 40% of the image range up and down.

Lens moved to the bottom

The projection position can be moved to the left at most to the position of 10% width of the projected image.

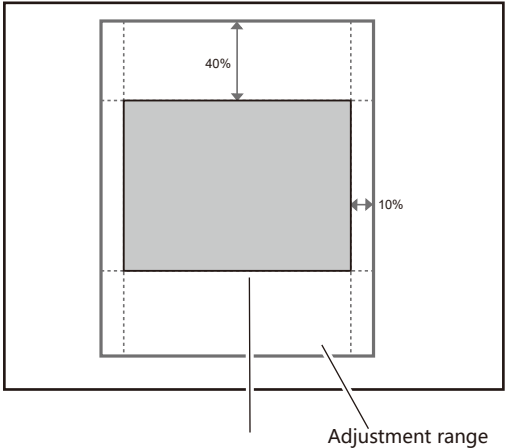
Lens moved to the far left



The projection position can be moved to the right at most to the position of 10% width of the projected image.

Lens moved to the far right

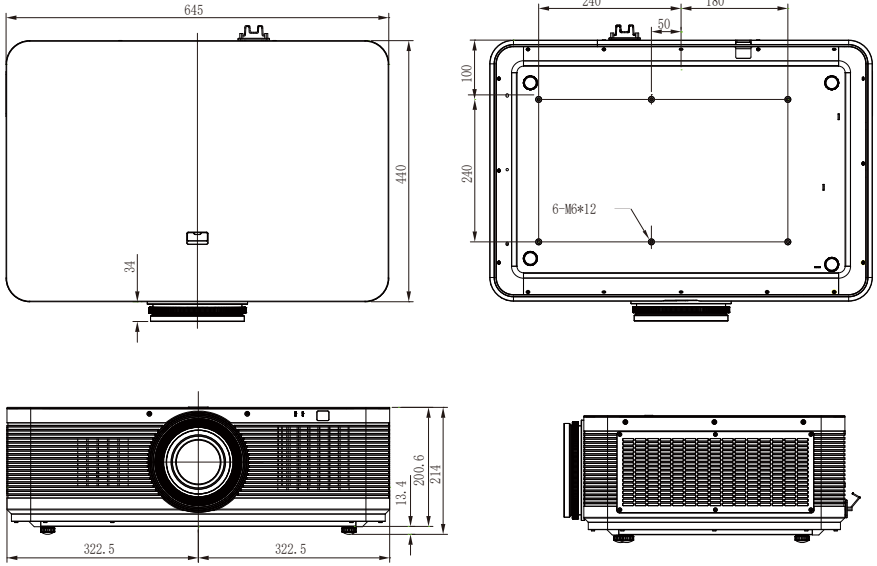
Lens shift adjustment range



Lens moved to the middle position

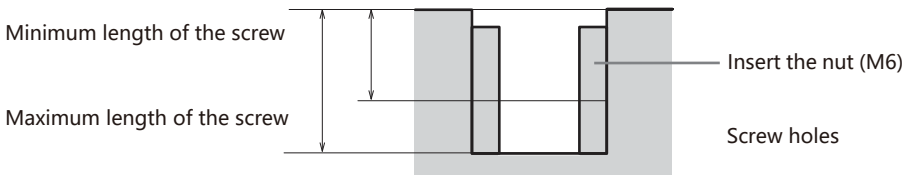
Dimensions

Unit: mm



Ceiling mounting holes

Use screws with a length of 8mm (minimum) to 10mm (maximum) for ceiling mounting.
 Screw locking torque: (M6)4±0.5 N.m
























Projector

Unit: mm

Indicators and Projector Status

Check the indicators for the status of the projector.

Indicators		Projector status
POWER Green / Red	WARNING Yellow	
		The projector is off (AC power cord is not plugged in) .
		The projector is in standby mode, press the standby button to turn on the projector.
		The projector is in a normal powered state.
		The projector is cooling down or ready to sleep, and the projector will not turn on until it is cooled down completely and the power light stopped blinking.
		The projector is in sleep mode.
—		The yellow indicator of the projector blinks every 2 seconds, indicating that the fan or color wheel is abnormal.
—		The yellow indicator of the projector cycles in blinking twice continuously at 2-second intervals, indicating that the lighting switch is not turned off or the temperature is abnormal.
—		The yellow indicator of the projector cycles in blinking eight times continuously at 2-second intervals, indicating that the projector humidity is abnormal.
—		The projector temperature is abnormal.

-  : Off
-  : Steady red
-  : Blinking in red
-  : Steady green
-  : Blinking in green
-  : Steady orange
-  : Blinking in orange
- Independent of the status of this indicator

Troubleshooting

Before requesting help from your dealer or service center, please check the following items again:

Problems	Solutions
Unable to turn on	<ul style="list-style-type: none"> - Insert the projector's power plug into an AC outlet. - Confirm that if the power indicator is lighting in red. - Check the WARNING indicator. If the WARNING indicator lights in orange, then you need to check the indication of indicator status. - Do not lock the [BUTTON LOCK] function of the projector.
Automatic switching of input signals (or non-automatic switching)	<ul style="list-style-type: none"> - Make sure the input source search function is properly adjusted.
Image is fuzzy	<ul style="list-style-type: none"> - Adjust the focus of the projector. - Provide an appropriate projection distance. - Check that if the projector lens needs to be cleaned. - Moving the projector from a cold environment to a hot environment may cause moisture condensation on the projection lens. If this happens, you can not turn on the projector until the condensation disappears.
Image flips left and right Image flips up and down	<ul style="list-style-type: none"> - Check the [CEILING/REAR] function. - Check the [CEILING] function.
Image is bright enough.	<ul style="list-style-type: none"> - Check whether the contrast or brightness adjustment is appropriate. - Check whether the image mode selection is appropriate.
No image	<ul style="list-style-type: none"> - Check the connection of your computer or video device to the projector. - Check that if the input signal from the computer is correct. When connecting to some laptops, it is often necessary to change the settings of their monitor output. Please refer to the computer user's manual for settings. - The image can only be displayed after the projector is turned on for about 30 seconds. - Check the input signal, color system, video system or computer system mode. - When using NO DISPLAY function, the image cannot be displayed. Press the BLACK SCREEN button or other button on the remote control.

Color is abnormal	<ul style="list-style-type: none"> - Check the input signal, color system, video system or computer system mode. - Make sure the value of SATURATION under [IMAGE MODE] is appropriate.
AUTO PC ADJUST function is invalid	<ul style="list-style-type: none"> - Check the input source signal. The AUTO PC ADJUST function is invalid when 480p, 576p, 720p, 480i, 576i or 1080i is selected.
Settings cannot be saved after power is turned off	<ul style="list-style-type: none"> - Make sure SAVE is selected after adjusting the settings. Some settings cannot be saved without selecting [SAVE].
AUTO SETUP does not work properly	<ul style="list-style-type: none"> - Make sure that all functions in AUTO SETUP are not set to OFF. - Make sure that CEILING function is not set to OFF.
Image distortion or disappearance	<ul style="list-style-type: none"> - Check and adjust the computer adjustment menu or on-screen menu.
A password dialog box appears after power on	<ul style="list-style-type: none"> - A password lock is set.
Remote control does not work	<ul style="list-style-type: none"> - Check the batteries. - Make sure there are no obstacles between the projector and the remote control. - Make sure you are not too far from the projector when using the remote control. The maximum operation distance is 8meters. - Make sure the remote control code matches the projector code. - Unlock the buttons of the remote control in SETUP menu.
Indicator lights on or blinks	<ul style="list-style-type: none"> - Check the projector status according to the indicator and projector status.
Keyboard is invalid	<ul style="list-style-type: none"> - Make sure the key lock in the menu is not turned on.
Unable to cancel startup screen password lock, key lock and password lock	<ul style="list-style-type: none"> - Please contact your dealer or service center.

- Make sure the projector is properly connected to the peripheral device.
- Make sure that all devices are connected to an AC outlet and the power is on.
- If the projector cannot project the image of the connected computer, restart the computer.



WARNING:

This projector is operated with high voltage. Do not open the cabinet. If the problem still exists after following the above methods, please contact the vendor or service center. Please inform the model and explain the problem. We will tell you how to get repaired.